

SPARE PARTS AND ACCESSORIES

11 SPARE PARTS AND ACCESSORIES**11.1 ELITE 4300 ACCESSORIES**

PART NO.	DESCRIPTION
SPRAY GUNS	
0538005	RX-80 with TR-1 517 Tip
0538020	RX-Pro with TR-1 517 Tip
0550060	S-3 spray gun
0550070	S-5 spray gun
0289013	M-4 spray gun
0538217	RX-Pro, small grip
0538218	RX-Pro, medium grip
0538219	RX-Pro, large grip
SPRAY TIPS AND ACCESSORIES	
662-XXX	SC-6+ Tip*
330-XXX	TR-1 HEA Tip*
695-XXX	TR-1 Tip*
692-XXX	TR-2 Tip*
671-XXX	Fine Finish Tip*
0289228	Tip Guard
651-139	Tip Swivel
661-020	Tip seat and seal kit (5 pack)
FILTERS	
0089957	Coarse Mesh Filter (Green)
0089958	Medium Mesh Filter (White)
0089959	Fine Mesh Filter (Yellow)
0089960	Extra Fine Mesh Filter (Red)
EXTENSIONS	
2418848	5" (12.5 cm) Tip Extension
2418850	10" (25 cm) Tip Extension
2418851	20" (50 cm) Tip Extension
2418852	30" (75 cm) Tip Extension
2418862	3' (0.9 m) Extension Pole
2418863	6' (1.8 m) Extension Pole
AIRLESS HOSE AND ACCESSORIES	
2432927	1/4" x 15 m Airless Hose
316-506	3/16" x 1.5 m Whip Hose
490-012	1/4" x 1/4" hose connector
0508239	High Pressure Fluid Gauge
LUBRICANTS AND CLEANERS	
2412657	Liquid Shield™ 946 ml
314-480	Piston Lube™, 240 ml
700-926	Piston Lube™, 946 ml
0297055	Pump Shield™, 355 ml

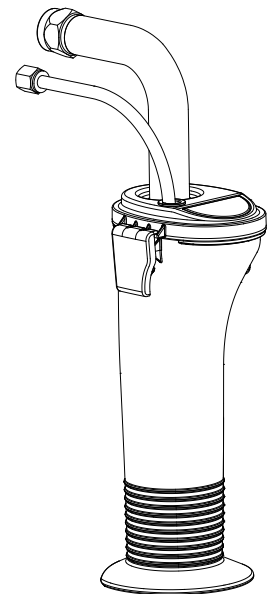
PART NO.	DESCRIPTION
VARIOUS	
2404445	Innerfeed Roller
0341267	Hopper 5l
0341266	Hopper 20l
0034630	Suction system (flexible)
2343481	Cleaning container for suction system with holder (only for flexible suction system)
0097531	Filter bag, mesh width 0,3 mm
0034950	Metex-Reuse Reuse for pre-filtering of coating material in vessel. Place suction pipe in the reuse.
0034952	Sieve package (5 pcs) for paint
0034951	Sieve package (5 pcs) for dispersion
*	Go to www.titantoole-international.com for tip sizes

RECOMMENDATION**PumpRunner for rigid suction systems (order No. 286008, suction system not included)**

Universal accessories for cleaning, clean transportation and preservation of the pump unit.

Features:

- Simpler cleaning – the cleaning liquid circulates constantly through the pump making thorough cleaning of the interior
- No cleaning necessary during work stoppage or change of location because the paint in the pump cannot dry out or leak
- Better protection
- Simple assembly



THERM CONTROL

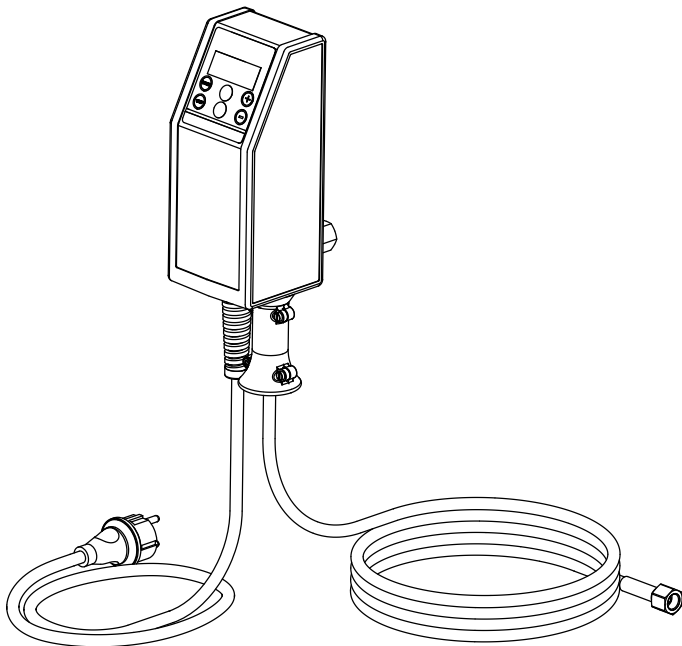
The paint material is heated to the required temperature uniformly by an electric heating element, which is located inside the hose (regulated from 20°C to 60°C).

Advantages:

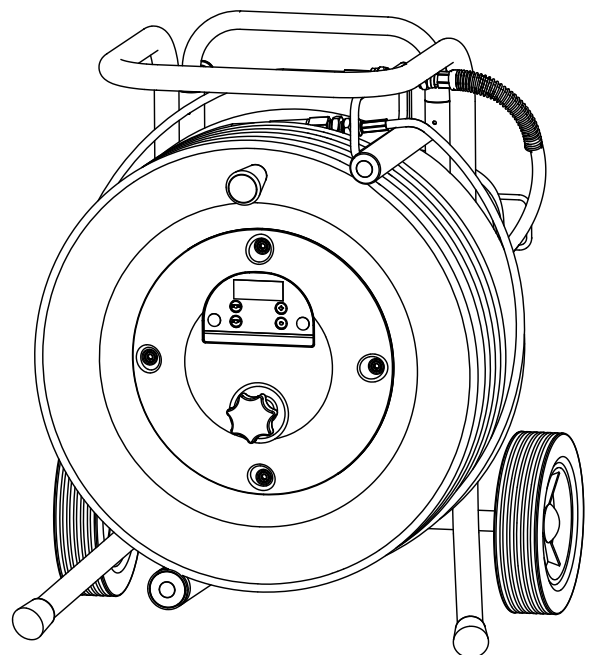
- Constant paint temperature even at low outside temperatures
- Considerably better working of high viscosity coating materials
- Increased application efficiency
- Savings in solvents due to reduction in viscosity
- Adaptable to all airless units

Order No.	Description
2313185	Therm Control Easy (ideal for lacquer jobs) Basic unit 1/4" incl. stainless steel hose, DN6, 1/4", 10m
2312712	Spraypack consisting of: basic unit (2312712), Airless gun S3 G thread, incl. TipGuard nozzle holder and FineFinish Tip 410
2313186	Therm Control Advanced (ideal for dispersions/materials with high viscosity) Basic unit 1/4" incl. Hose reel, heated hose DN10, 15m, hose 1/4" DN4, 1m
2313186	Spraypack consisting of: Basic unit (2313186), Airless gun S3 G thread, incl. TipGuard nozzle holder and SC-6 Plus tip 419

Therm Control Easy



Therm Control Advanced

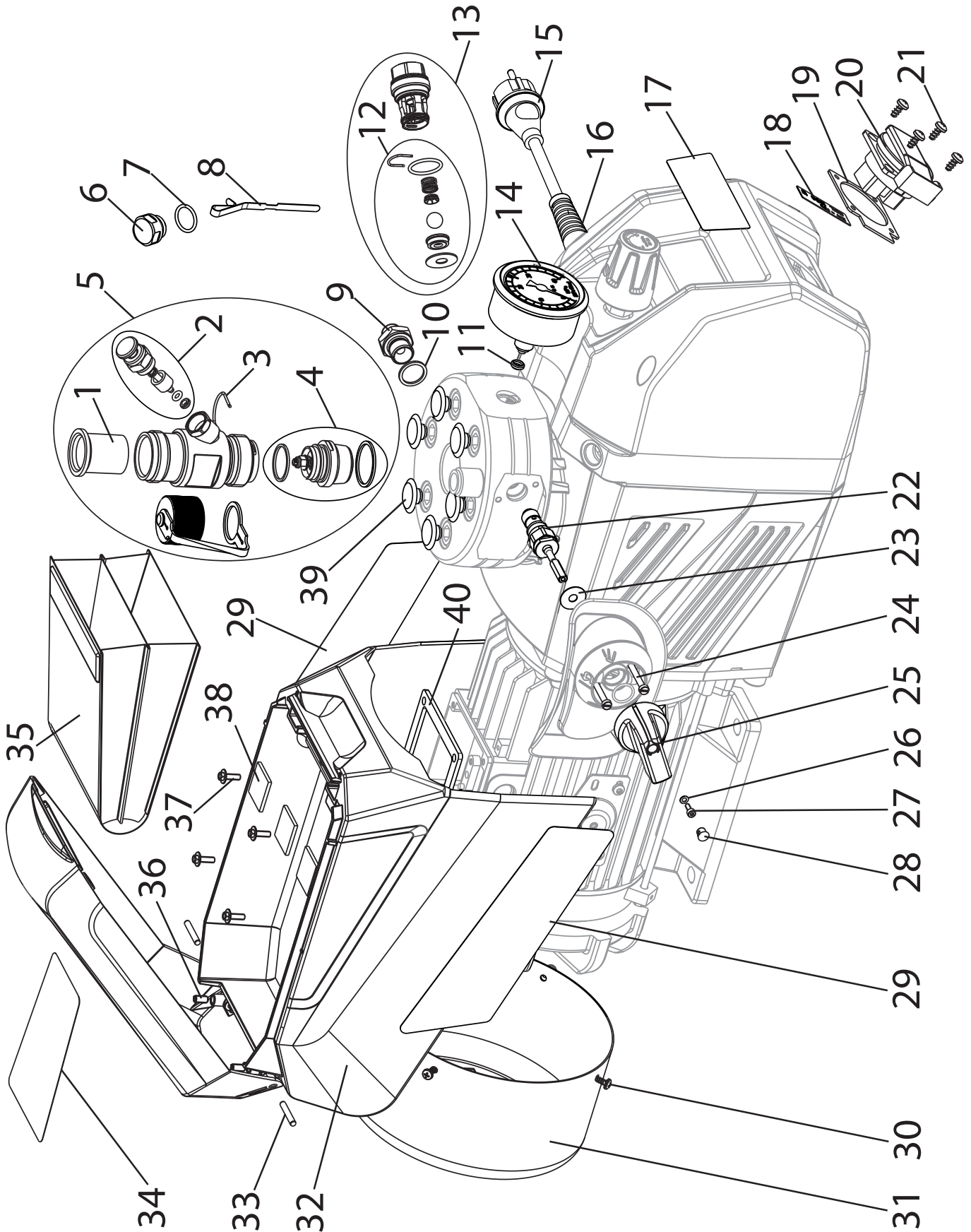


SPARE PARTS AND ACCESSORIES

11.2 SPARE PARTS LIST ELITE 4300

ITEM	ORDER-NO	DESIGNATION
1	0340 339	Inlet
2	0341 241	Inlet valve trigger
3	0341 336	Clasp
4	0341 247	Inlet valve complete
5	0341 255	Inlet valve housing compl.
6	0341 349	Oil cap screw
7	9971 146	O-ring
8	2370 128	Oil measuring stick
9	0344 337	Double socket
10	9970 103	Sealing ring
11	9970 109	Sealing ring
12	0341 702	Outlet valve, service set
13	0341 246	Outlet valve complete
14	2383 994	Pressure gauge
15	0261 352	Mains cable H07-RNF 3x 1.5mm ² , 6m long
16	2402 675	Cable threaded joint
17	2432674	Label Elite 4300
18	2388995	Warning notice
19	9950 242	Seal
20	9950 241	Socket
21	9905 113	Oval head screw 5x10
22	2384 484	Relief valve compl.
23	0341 414	Washer
24	2334 205	Cylinder screw with hex socket
25	2384 478	Rotary knob
26	9920 207	Washer
27	9906029	Cylinder screw with hex socket
28	9990 864	Cover cap
29	2432670	Label 4300
30	9902 225	Oval head screw 3.5x9.5
31	2392 781	Fan cover
32	2432 660	Tool box with lid compl. (incl. items 33, 36, 41)
33	9930 114	Cylindrical pin

ITEM	ORDER-NO	DESIGNATION
34	2432675	Label Elite 4300
35	2432655	Internal compartment, tool box
36	9901 105	Threaded pin
37	9900 248	Hexagon bolt with flange
38	9995 234	Pressure cap
39	9990 535	Protection cap
40	2344 692	Motor gasket

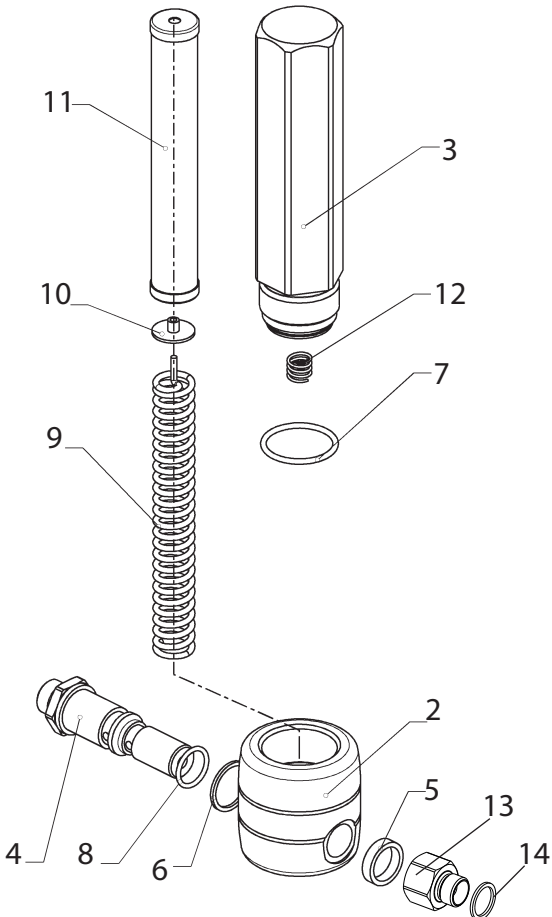


Spare parts diagram Elite 4300

SPARE PARTS AND ACCESSORIES

11.3 SPARE PARTS LIST HIGH-PRESSURE FILTER

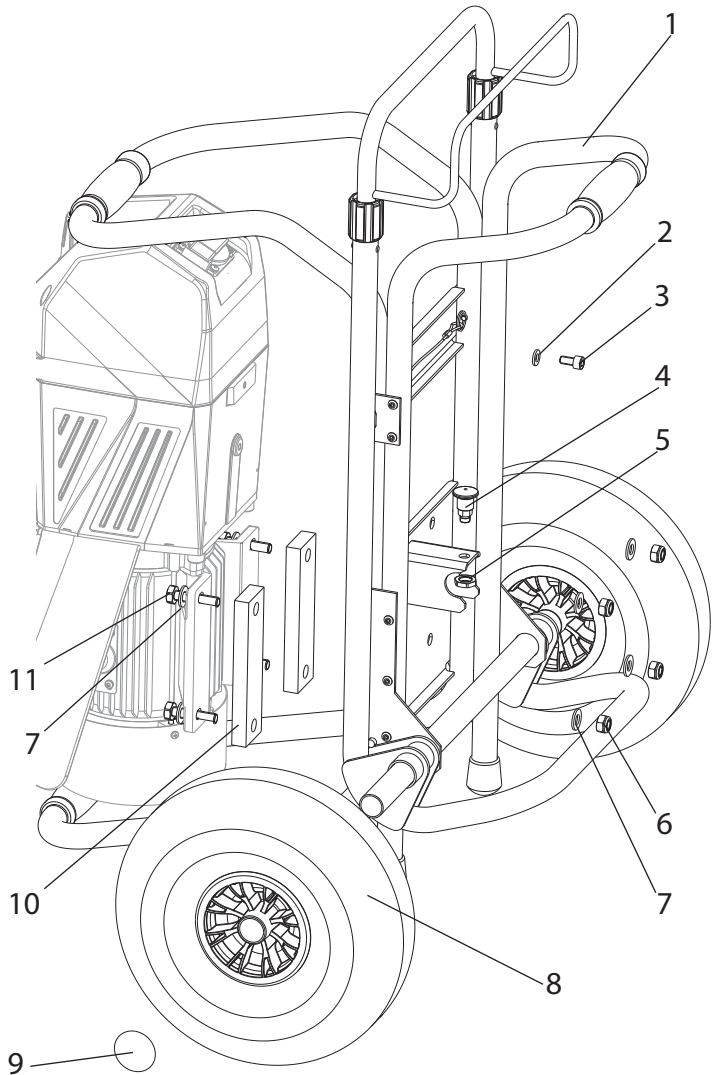
ITEM	ORDER NO.	DESIGNATION
1	2399 672	High-pressure filter HF- 01 compl.
2	0097 301	Filter block
3	0097 302	Filter housing
4	0097 306	Hollow screw
5	0097 304	Seal ring
6	9970 110	Seal ring
7	9974 027	O-ring 30x2 (PTFE)
8	9971 401	O-ring 16x2 (PTFE)
9	0508 749	Bearing spring
10	0508 603	Bearing ring
11	0508 748	Filter insert 60 meshes
	0508 450	Optional: Filter insert 100 meshes
	0508 449	Filter insert 30 meshes
12	9994 245	Pressure spring
13	2399 670	Screw-in connector
14	9970 103	Sealing ring



Spare parts diagram high-pressure filter

11.4 SPARE PARTS LIST TROLLEY

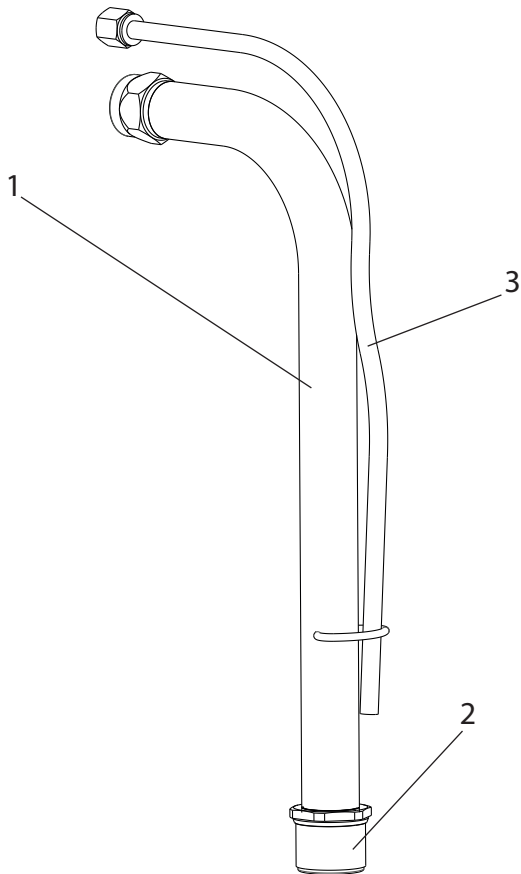
ITEM	ORDER NO.	DESIGNATION
1	2374 620	Trolley assy. (incl. pos. 2-11)
2	9920 103	Washer
3	9900 346	Cylinder screw with hex socket
4	2391 797	Mini screen
5	2384 267	Hexagon nut M10x1
6	9913 011	Hexagon nut
7	9920 106	Washer A 10.5
8	0348 349	Wheel
9	9994 902	Wheel cap
10	2384 275	Damping plate
11	9900 247	Hexagon screw



Spare parts diagram trolley

11.5 SPARE PARTS LIST SUCTION SYSTEM

ITEM	ORDER NO.	DESIGNATION
1	2370 310	Suction system assy. (incl. pos. 2-3)
2	0253 244	Filter, mesh width 1,2 mm
3	0253 211	Return tube

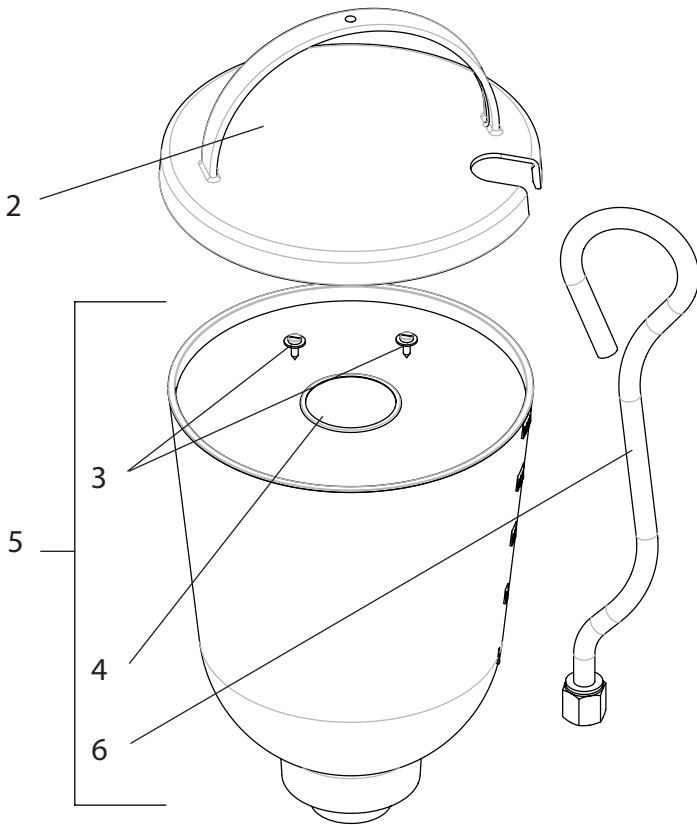


Spare parts diagram suction system

SPARE PARTS AND ACCESSORIES

11.6 SPARE PARTS LIST HOPPER, 5 LITRES

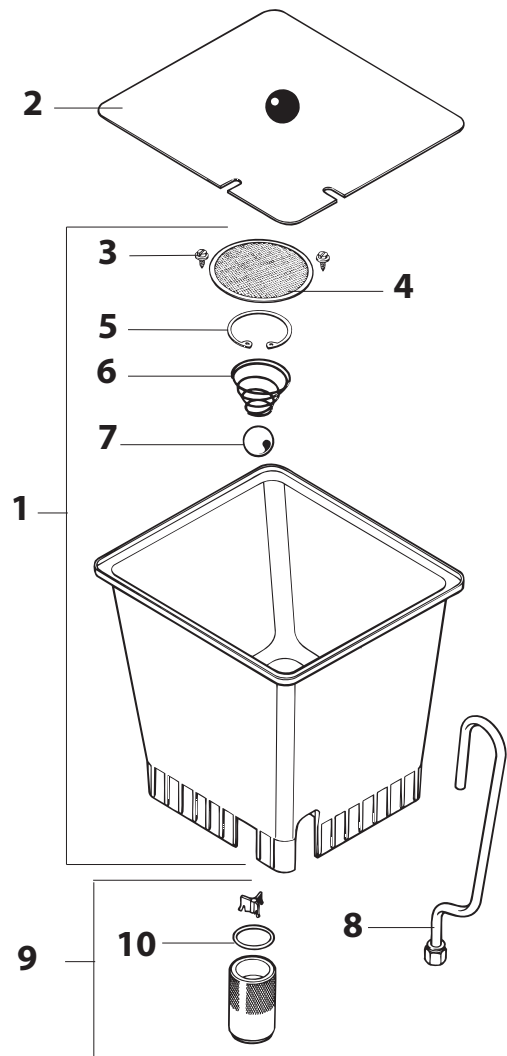
ITEM	ORDER-NO	DESIGNATION
1	0341 267	Hopper 5l, assy. (pos. 2-6)
2	0340 429	Cover
3	9902 313	Sheet metal screw 3,9x13 (2)
4	0003 756	Filter disk, mesh width 0,4 mm
5	0340 265	Hopper
6	0340 908	Return pipe



Spare parts diagram hopper (5 L)

11.7 SPARE PARTS LIST HOPPER, 20 LITRES

ITEM	ORDER-NO	DESIGNATION
-	0341 266	Hopper 20 litres, assy
1	0097 269	Hopper without cover
2	0097 270	Cover
3	9902 306	Sheet metal screw 3,9x13 (2)
4	0097 521	Filter disk, mesh width 0,8 mm
5	9922 609	Securing ring 37 x 1.5
6	0037 776	Pressure spring
7	9941 509	Ball 30
8	0097 295	Return tube
9	0097 271	Container adapter, assy
10	9971 065	O-ring 44 x 3



Spare parts diagram hopper (20 L)